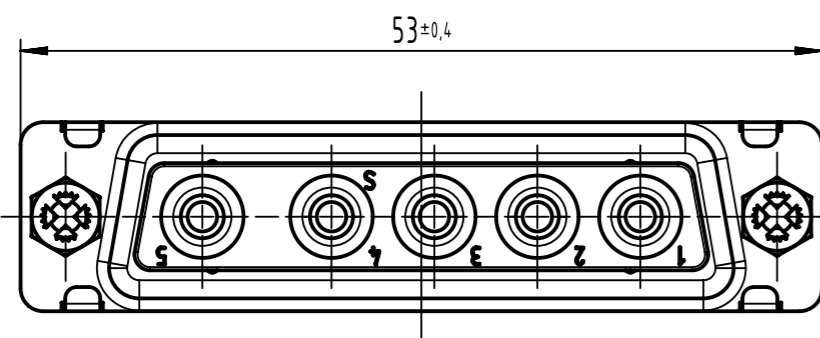
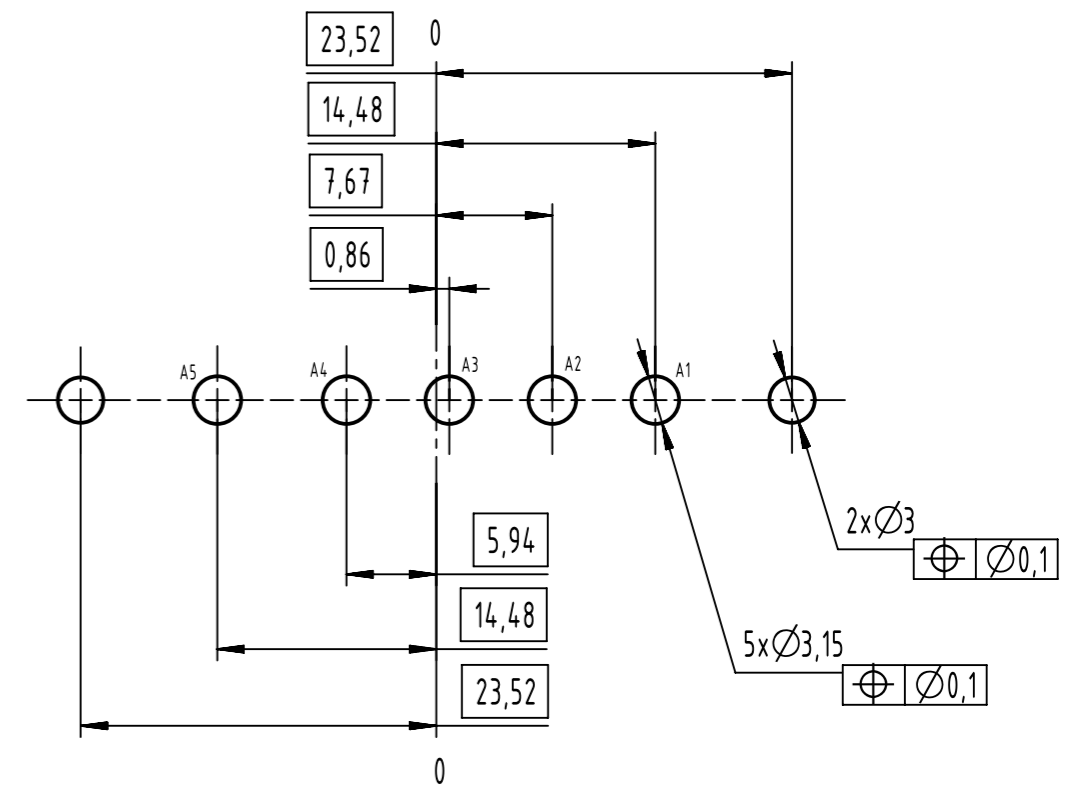


PCB hole pattern, mounting side
recommende thickness 1,6



09693009350	NM30
Part number	Performance level

	All rights reserved	Created by ZHUANGJ	Inspected by LUOK	Standardisation ROEBEN	Date 2022-01-27	State Final Release	Ref. Sub.
	Department EL PD	Title D-Sub M 5W5 STR FE 20A UNC NM30 BL				Doc-Key / ECM-Nr. 10057254.1/UGD/001/B 50000209165	
HARTING D-32339 Espelkamp	Type TB	Number 09693009350			Rev. B	Page 1/1	